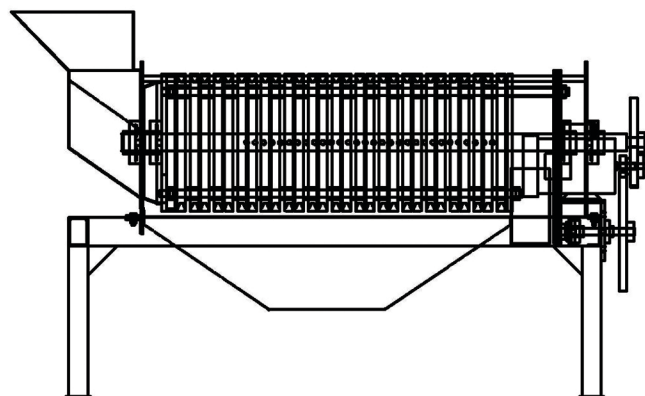


14" SHELLER

Model Number: ME-AS-14-28R



PRODUCT DESCRIPTION

After pecans have been cracked, they are ready for shelling. The 14" Sheller agitates the cracked pecans so that the shell and nutmeat are no longer clinging together. Once the shell and nutmeat are separated from each other the mixture is discharged together into the desired bin or container. Improperly cracked pecans are discharged through the override chute. The Sheller is supplied complete with one 1/2 HP. single phase motor, manual ring gap adjustment, paddle shaft speed adjustment, and standard length legs. The discharge hopper, override chute, and protective covers are fabricated of stainless steel. All internal product contact surfaces, except the Paddle Shaft and Sheller Rings, are zinc plated mild steel. There are no parts inside the sheller that are painted. Only the base frame, which is made from mild steel and is painted light gray.

SPECIFICATIONS

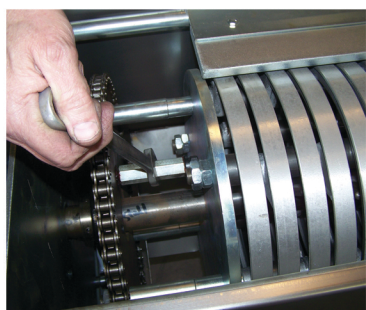
Capacity: The 14" Sheller can handle the output of five Modern Electronics Pecan Crackers.
(approximately 500 lb/hr).

Estimated Crated Weight: 743 lbs

Dimensions: Approximately 35" Width x 72" Length x 43" Height

FEATURES

- Easy to operate and simple to maintain.
- Commercial quality for the non-commercial processor.
- Paddle shaft speed can be adjusted while the sheller is running.



modern electronics & equipment, inc.

LOCATION
Mansfield, Louisiana

CONTACT
318-872-4764

WEBSITE
www.me-equip.com